

## 3170 Designer Three Panel Screen



CUSTOMER INSTRUCTIONS

PLEASE READ AND FAMILIARIZE YOURSELF WITH ALL INSTRUCTIONS BEFORE USING THIS PRODUCT. If you have trouble understanding these instructions contact your dealer or Winco customer support, (800) 237-3377, e-mail: [customerservice@wincomfg.com](mailto:customerservice@wincomfg.com) before attempting to use this product; otherwise injury may occur.

**Winco assumes no responsibility for damage or injury caused by the assembly, installation or use of these products. improper**



1. READ AND FOLLOW ALL DIRECTIONS.
2. NEVER place screen on a cart, table, stand or other objects; Screen could fall and INJURY MAY OCCUR.
3. NEVER place screen near open flame or over a radiator or heat register.
4. NEVER place screen in front of a door or exit sign; or during emergency screen could hinder evacuation.
5. SUFFOCATION DANGER to children if vinyl is not attached to screen; Screen could block nose and mouth  
and prevent breathing. VINYL SCREEN IS NOT A TOY.
6. DO NOT allow children to play with screen; Screen could fall and INJURY MAY OCCUR.
7. Screen should ALWAYS be positioned on level surface. 8. NEVER stand or ride on screen legs; INJURY MAY OCCUR.
9. DO NOT use screen in or with ANY type of vehicle or trailer.
10. DO NOT attach objects to screen frame; Screen can tip over and INJURY MAY OCCUR.
11. Remove from service; Any screen with broken or missing parts, torn vinyl, or other visible damage.
12. USE ONLY WINCO AUTHORIZED REPLACEMENT PARTS.
13. SAVE THESE INSTRUCTIONS for future reference and training.

Tools needed:

- Scissors or box cutter
- 5/32 Allen Wrench (provided)

PLEASE READ AND FAMILIARIZE YOURSELF WITH ALL INSTRUCTIONS BEFORE PROCEEDING WITH ASSEMBLY

1. After checking your product for any shipping damage, remove all packing material and hardware that was secured for shipping. Cut tape and/or plastic with scissors, being careful not to damage screen.

**LEG INSTALLATION** SEE PHOTOS, NEXT PAGE

2. Insert both **Leg Frame Assemblies (#3)** into the bottom of the **Wing/Mid Frame Assembly (#1A)**. Line up the holes in **(#3)** w/ the holes in **(#1A)**.
3. Using the **Allen Wrench** provided screw in **1-Button Socket Screw (3D)**, per leg, through **(#1A)** and into **(#3)**

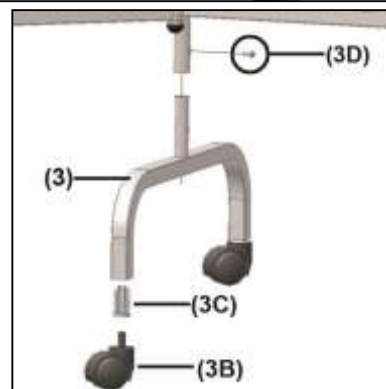
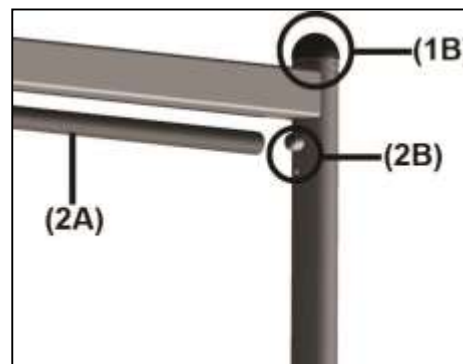
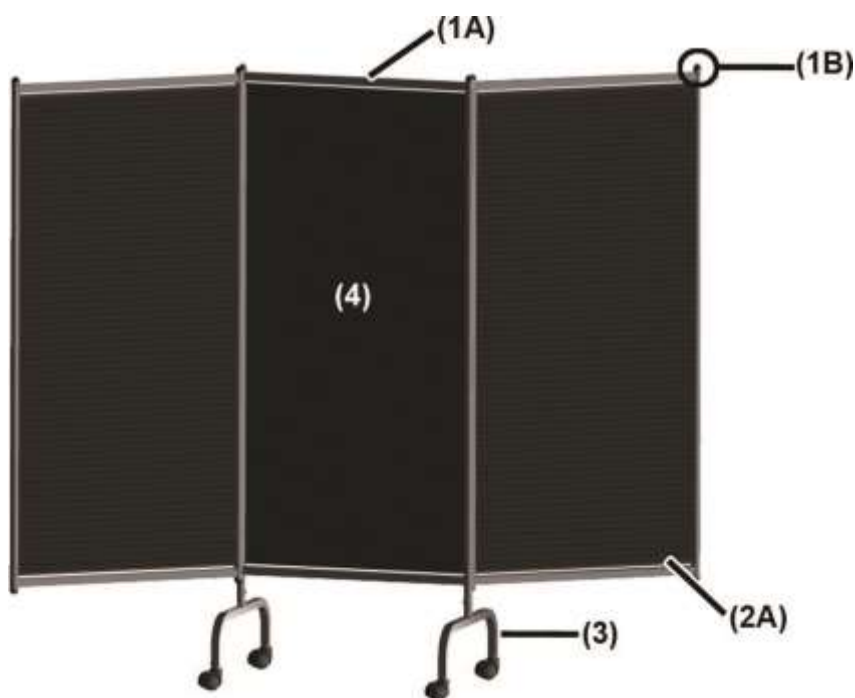
**PANEL REPLACEMENT** *SEE PHOTOS, NEXT PAGE*

4. To replace **Vinyl Panels (#4)**, hold the screen by the top **Screen Rod (#2A)**.
5. Next, using the **Allen Wrench** provided, push in on the small hole just below the **Snap Button (#2B)**. Re-install **(#2A)** by repeating the above procedure, then release **(#2B)** when **(#2A)** is in place

**CARE & MAINTENANCE OF YOUR SCREEN**

6. Periodically check all fasteners for tightness.
7. To clean **Vinyl Panels** use only mild liquid soap and water.

**Wrinkles in Vinyl** – Storage and/or shipping causes wrinkles in the vinyl of your Winco Screen; This is normal. Please allow 1-2 weeks at room temperature (approx. 70+ degrees) to allow for vinyl to return to original appearance.



**Items Included with Screen:**

	<b><u>Qty.</u></b>
(1A) Wing/Mid Frame Assembly Kit	1
(1B) Domed Plastic Insert	10
(2B) Snap Buttons	4
(3D) 3/4" Button Socket Screw	2
(2A) Screen Rod	6
(2B) Snap Buttons	12
(3) Leg Frame Assembly	2
(3B) 2" Castor	4
(3C) Castor Insert	4
(3D) 3/4" Button Socket Screw	2

Visit our website [www.wincomfg.com/product-documents/parts-lists](http://www.wincomfg.com/product-documents/parts-lists) for a complete parts list catalog of your chair or call Customer Service @ 1-800-237-3377 to request it by mail.

**Other Quality Winco Medical Furnishings You May Be Interested In:**



Clinical Recliners



Exam Tables



Convalescent (LTC) Recliners



Ring Binder Carts



Privacy Screens



Phlebotomy Chairs



Specialty Chair Transfer Chairs



Stools



Room Chairs

Visit us online at [www.wincomfg.com](http://www.wincomfg.com)



## LIMITED WARRANTY

• 5516 SW 1<sup>st</sup> Lane • Ocala, FL 34474  
 • Phone (352) 854-2929 • (800) 237-3377  
 • Fax (352) 854-9544  
 • www.wincomfg.com  
 • customerservice@wincomfg.com

### TERMS

*Winco Mfg., LLC. warrants this product to be free of manufacturer's defects in material and workmanship, provided that the product is used according to normal operating conditions and proper maintenance intended by manufacturer. This warranty is available only to the original retail purchaser, is non-transferable and commences on the date of retail sale; proof of purchase required.*

**Limited One Year Product Warranty:** Winco Mfg., LLC warrants the complete product for one (1) year. At Winco Mfg., LLC. sole discretion, it may repair or replace any components freight free that are found to be defective during the first year. *Winco Mfg., LLC. shall not be liable for any labor, or any other costs incurred as a result of or in conjunction with a warranty claim.*

**Limited Three Year Warranty:** Winco Mfg., LLC warrants recliner mechanisms, electrical components, vinyl panels and Vinyl on upholstered parts [from cracking or delaminating] pressurized gas springs, and casters, when new, for a period of three (3) years. At Winco Mfg., LLC.'s Sole discretion, it may repair or replace components found to be defective. *Winco Mfg., LLC. shall not be liable for any labor, shipping or any other costs incurred as a result of or in conjunction with a warranty claim.*

**Limited Lifetime Frame Warranty:** Winco Mfg., LLC warrants steel and aluminum base frames for all products, when new, for the lifetime of the original purchaser. This limited warranty does not apply to paint/finish or any components attached to the frame such as; upholstery, foam, casters, mechanisms or related parts that are covered under above warranties. *Winco Mfg., LLC shall not be liable for any labor, shipping or any other costs incurred as a result of or in conjunction with a warranty claim.*

The purchaser's exclusive remedy under this warranty shall be limited to such repair or replacement of defective components at Winco Mfg., LLC sole discretion. For warranty service, contact the dealer that the product was originally purchased from or Winco Mfg., LLC directly.

### EXCLUSIONS

There are no other warranties, conditions, representations or guarantees, express or implied, made or intended by Winco Mfg., LLC and all other warranties, conditions, representations or guarantees including any warranties, conditions, representations or guarantees under any Sale of Good Act or Like legislation or statute is hereby expressly excluded. Any and all other implied warranties shall not extend beyond the duration of the express warranty. Liability for incidental or consequential damages is excluded to the extent permitted by law. Some states do not allow the exclusion or limitation so the above limitation or exclusion may not apply to you. This warranty gives you specific legal rights. In addition you may also have other rights, which vary from state to state.

### GENERAL PROVISIONS

No warranty herein contained or set out shall apply when damage or repair is caused by any of the following:

1. Damage in transit.
2. Accident, alteration, abuse or misuse of product i.e. exceeding weight capacities, applying inordinate pressure to footrest/leg rest, use in Mental Health facilities like institutions or, any unintended use of the product or use in unintended environments (i.e. outdoor, showers, MRI rooms, etc..)
3. Fire, water damage, theft, war, riot, hostility, acts of God.

*Examples contained in this list are not to be construed as all-inclusive.*



***Design, appearance, parts, & construction are subject to change without notice***