

8500-8510 Treatment Table



CUSTOMER INSTRUCTIONS

If you have trouble understanding these instructions contact your dealer or Winco customer support, (800) 237-3377 PLEASE READ AND FAMILIARIZE YOURSELF WITH before attempting to use this product; otherwise injury may occur. ALL INSTRUCTIONS BEFORE USING THIS PRODUCT.

Winco assumes no responsibility for damage or injury caused by improper assembly, installation, use, or maintenance of these products.



1. READ AND FOLLOW ALL DIRECTIONS.
2. NEVER stand on table or INJURY MAY OCCUR. 3. NEVER allow user to sleep unattended on table or INJURY MAY OCCUR.
4. NEVER leave an unconscious user unattended on table or INJURY MAY OCCUR.
5. DO NOT use table for transporting user in or with ANY type of vehicle or trailer. Winco tables have not been tested or approved for use by an occupant in any type of vehicle or trailer.
6. NEVER leave an infant or child unattended on table or INJURY MAY OCCUR.
7. DO NOT put hands, feet or clothing into any openings when changing positions on table. Attendant MUST confirm that users hands and feet are safe while changing table positions or INJURY MAY RESULT. 8. Periodically, recheck tightness of all nuts, bolts and screws.
9. USE ONLY WINCO AUTHORIZED REPLACEMENT PARTS.
10. NEVER EXCEED the recommended **weight capacity of 400 lbs.** (181.4 kg).
11. SAVE THESE INSTRUCTIONS for future reference and training.

8500-8510 Weight Capacity = 400 lbs. (181.4 kg.)

Tools needed:

- Phillips-head screwdriver
- 7/16" wrench (multiple size wrench included)
- Scissors or box cutter
- - If using powered tools always start hardware together by hand first & wear safety goggles

PLEASE READ AND FAMILIARIZE YOURSELF WITH ALL INSTRUCTIONS BEFORE PROCEEDING WITH ASSEMBLY

SEE "Parts Reference" (pg.3) for visual reference during assembly.

1. After checking your product for any shipping damage, table needs to be positioned upside-down on cardboard or protective surface. Remove all packing material and hardware that was secured for shipping. Cut tape on corners of box so that cardboard will lay flat while you assemble table.
2. You will find two **Table Legs**, in-between and attached to the **Table Frame Rails**. Pivot up the (2) **Table Legs**.

NOTE: Each **Table Leg** has an **Upper Leg Brace** that need to align with two threaded holes in the wood of the **Upholstered Top**.

3. Install (4) ¼-20 x 1-½” screws through (2) holes in each upper brace of the **Table Leg**, and into (2) threaded holes (each end) in the wood of the **Upholstered Top**.

NOTE: **Do not** fully tighten at this time.

4. Place (4) ¼-20 x 1-½” carriage bolts into the (4) square holes through the **Lower Leg Brace** of the **Table Legs**. Heads of screws should face the ends of table, for better appearance.
5. Install the **Cross-brace**. Welds on the **Cross-brace** must face down toward floor when the table is upright. Attach with the (4) screws that you just installed on step 4 and secure with (4) ¼-20 nuts.

*If the **Optional Shelf** and **Reinforced Cross-brace** have been ordered; make sure that the smooth surface (side with tape) of the **Reinforced Cross-brace** will face upward (when the table is in the upright position) prior to fastening to the **Table Legs**.*

6. TIGHTEN ALL nuts & bolts.
7. Install the four (4) **Glide Feet** completely into the **Threaded Inserts** located on the bottom of the **Table Legs**.

Additional instructions for 8510 models ----- (8500 model go to step 11)

8. Attach the **Face Slot Tube** so that one hole is aligned with the center hole of the **Upper Leg Brace** (flat side of Face Slot Tube faces table bottom). Position the opposite end of the **Face Slot Tube** over the 1” nylon spacer and the hole in table bottom. Install two (2) 1-3/4” Panhead Phillips screws through both ends of the **Face Slot Tube**, then tighten into the wood table bottom with a Phillips Head Screwdriver.
9. Install **Face Paper Holder** using (2) 1” “drywall-type” screws in pre-drilled holes on either side of Face Slot.
10. Install **Face Paper Cutter** on **Table Frame Rail** (where desired) opposite **Face Paper Holder**. Peel backing from tape on back of cutter, press cutter firmly into place.

After peeling paper from adhesive tape:

*Use damp sponge to moisten tape to allow face paper cutter to be adjusted during install.
Once tape is dry face paper cutter will stay in place.*

11. Using at least two people, turn table upright.
12. Place **Paper Holder Rod** through the (2) **Paper Rod Clamps**, (with paper roll in-between).
13. Adjust the (4) **Glide Feet** to level table.

Optional Shelf installation:

14. Double-sided tape has been installed on the **Cross-brace**.
15. Before removing paper on tape, “test fit” the shelf. Shelf should be approximately ¼” from edges of Lower Leg Brace.
16. Once you are certain of where you will position the shelf, peel off the paper to expose adhesive.

After peeling paper from adhesive tape:

*Use damp sponge to moisten tape to allow shelf to be adjusted during install.
Once tape is dry shelf will stay in place.*

17. Carefully position shelf in place on adhesive.

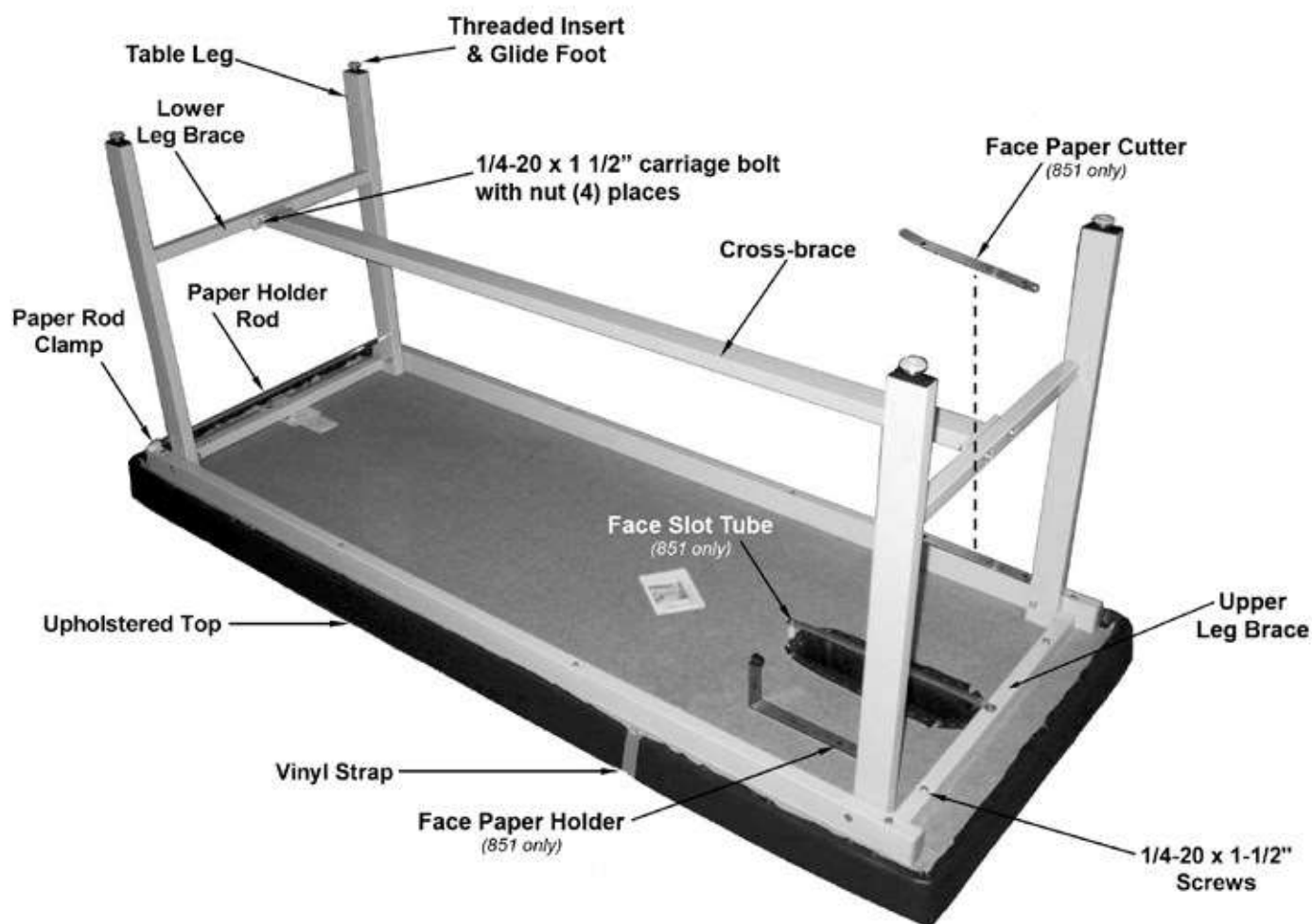
Vinyl Strap Adjustment – Should the vinyl strap on your Winco table need to be adjusted, unscrew the screw that currently holds either side of it in place. Pierce another hole in the strap to give desired tension and re-insert screw.

Wrinkles in Vinyl – Storage and shipping can cause wrinkles of the vinyl on your Winco table. This is normal. Please allow 1-2 weeks at room temperature (approx. 70 degrees) to allow for vinyl to expand back to original appearance.



Do not over tighten nuts and bolts. Periodically recheck all fasteners for tightness.

Parts Reference



Visit our website for a complete parts list of your table or call Customer Service @ 1-800-237-3377 to request it by mail.



LIMITED WARRANTY

• 5516 SW 1st Lane • Ocala, FL 34474
 • Phone (352) 854-2929 • (800) 237-3377
 • Fax (352) 854-9544
 • www.wincomfg.com
 • customerservice@wincomfg.com

TERMS

Winco Mfg., LLC. warrants this product to be free of manufacturer's defects in material and workmanship, provided that the product is used according to normal operating conditions and proper maintenance intended by manufacturer. This warranty is available only to the original retail purchaser, is non-transferable and commences on the date of retail sale; proof of purchase required.

Limited One Year Product Warranty: Winco Mfg., LLC warrants the complete product for one (1) year. At Winco Mfg., LLC. sole discretion, it may repair or replace any components freight free that are found to be defective during the first year. *Winco Mfg., LLC. shall not be liable for any labor, or any other costs incurred as a result of or in conjunction with a warranty claim.*

Limited Three Year Warranty: Winco Mfg., LLC warrants recliner mechanisms, electrical components, vinyl panels and Vinyl on upholstered parts [from cracking or delaminating] pressurized gas springs, and casters, when new, for a period of three (3) years. At Winco Mfg., LLC. 's Sole discretion, it may repair or replace components found to be defective. *Winco Mfg., LLC. shall not be liable for any labor, shipping or any other costs incurred as a result of or in conjunction with a warranty claim.*

Limited Lifetime Frame Warranty: Winco Mfg., LLC warrants steel and aluminum base frames for all products, when new, for the lifetime of the original purchaser. This limited warranty does not apply to paint/finish or any components attached to the frame such as; upholstery, foam, casters, mechanisms or related parts that are covered under above warranties. *Winco Mfg., LLC shall not be liable for any labor, shipping or any other costs incurred as a result of or in conjunction with a warranty claim.*

The purchaser's exclusive remedy under this warranty shall be limited to such repair or replacement of defective components at Winco Mfg., LLC sole discretion. For warranty service, contact the dealer that the product was originally purchased from or Winco Mfg., LLC directly.

EXCLUSIONS

There are no other warranties, conditions, representations or guarantees, express or implied, made or intended by Winco Mfg., LLC and all other warranties, conditions, representations or guarantees including any warranties, conditions, representations or guarantees under any Sale of Good Act or Like legislation or statute is hereby expressly excluded. Any and all other implied warranties shall not extend beyond the duration of the express warranty. Liability for incidental or consequential damages is excluded to the extent permitted by law. Some states do not allow the exclusion or limitation so the above limitation or exclusion may not apply to you. This warranty gives you specific legal rights. In addition you may also have other rights, which vary from state to state.

GENERAL PROVISIONS

No warranty herein contained or set out shall apply when damage or repair is caused by any of the following:

1. Damage in transit.
2. Accident, alteration, abuse or misuse of product i.e. exceeding weight capacities, applying inordinate pressure to footrest/leg rest, use in Mental Health facilities like institutions or, any unintended use of the product or use in unintended environments (i.e. outdoor, showers, MRI rooms, etc..)
3. Fire, water damage, theft, war, riot, hostility, acts of God.

Examples contained in this list are not to be construed as all-inclusive.



Design, appearance, parts, & construction are subject to change without notice