



# *Para-Therapy™*



**PT-6-S**

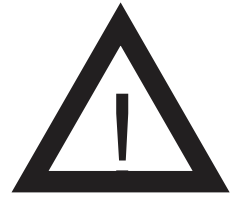


**PT-18-S**

## **OPERATION AND MAINTENANCE MANUAL**



**BEFORE CONNECTING,  
READ INSTRUCTIONS  
AVANT DE CONNECTER,  
LIRE LES INSTRUCTIONS**



FOR PROFESSIONAL USE ONLY



**CAUTION**

Grounding reliability can only be achieved when the equipment is connected to an equivalent receptacle marked "Hospital Only" or "Hospital Grade".

Medical Equipment:

With respect to electric shock, fire and mechanical hazards only in accordance with UL 60601-1 and CSA C22.2 No. 601.1



**DANGER**

Risk of explosion if used in the presence of flammable anesthetics



**WARNING**

REPLACE fuse as marked | Outer Surface is Hot | AVOID Prolonged skin contact. | AVOID resting objects on or against the tank.

REMOVE all packaging, accessories and literature from inside of unit prior to using.

PROPERLY GROUND your unit. Plug unit into a Ground Fault Circuit Interrupter (GFCI) receptacle for safety. Failure to properly ground unit can increase the risk of ELECTRICAL SHOCK HAZARD!

NEVER use unit while bathing or near water. ELECTRICAL SHOCK HAZARD!

NEVER use unit in the presence of combustible liquids or gases. EXPLOSION HAZARD!

AVOID TOUCHING BOTTOM OF TANK. Bottom can be hotter than paraffin due to heating element location.

**WHITEHALL MANUFACTURING** • P.O. BOX 3527 • City of Industry, CA 91744-0527  
U.S.A Phone (800) 782-7706 • (626) 968-6681 • Fax (626) 855-4862 • Web:

POUR PROFESSIONEL USE SUELEMENT



**ATTENTION**

La mise à terre ne fonctionne de façon efficace que si l'équipement est connecté à une prise marquée "Hopital Seulement" ou "Categorie Hopital".

Équipement Médical:

Concernant les risques de chocs électriques de feu et autres dangers mecaniques seulement conformément a UL 60601-1 et a CSA C22.2 No. 601.1



**DANGER**

Risque d' explosion si utilisé en présence d' anesthisques inflammables



**AVERTISSEMENT**

REPLACER les fusibles tel qu' indiqué | La surface extérieure est chaude | ÉVITER tout contact prolongé avec la peau.

ÉVITER de déposer des objets sur le reservoir ou de les appuyer contre celui-ci.

RETIRER tout emballage, accessoire et feuillet se trouvant à l'intérieur de votre nouvel appareil avant de l'utiliser.

EFFECTUER LA MISE À LA TERRE de votre appareil DE FAÇON APPROPRIÉE. Brancher l'appareil dans une prise à disjoncteur différentiel de fuite à la terre (DDFT), ce qui offre une protection au cas où l'eau et la paraffine entreraient en contact avec l'électricité. Si l'appareil n'est pas bien mis à la terre, cela augmente les RISQUES DE DÉCHARGES ÉLECTRIQUES !

NE JAMAIS utiliser l'appareil en prenant un bain ou près de l'eau. RISQUE DE DÉCHARGES ÉLECTRIQUES !

NE JAMAIS utiliser l'appareil près de liquides ou de gaz combustibles. RISQUE D'EXPLOSION !

ÉVITER DE TOUCHER LE FOND DU RÉSERVOIR.



Le fond peut être plus chaud que la paraffine en raison de l'emplacement des éléments chauffants.

# Table of Contents

General Warning .....Page  
a

Equipment Description .....Page

2 Operating Instructions  
.....Page 3

Operating Tips.....Page 3

Treatment Tips.....Page  
4

Paraffin Replacement and Cleaning.....Page 4

Electrical Diagrams and Specifications  
Model PT-6-S .....Page  
6  
Model PT-18-S .....Page  
8

Repair Parts  
Model PT-6-S .....Page  
6  
Model PT-18-S .....Page  
8

Exploded View  
Model PT-6-S .....Page  
7  
Model PT-18-S .....Page  
9

Troubleshooting Guide .....Page  
10



## Equipment Description

Stationary Paraffin Tanks provides a simple, effective method of applying heat to the surface of body extremities where conditions indicate a need for increased circulation. The tank shall be for an arm or hand paraffin bath.

### *Indications;*

Paraffin bath, when prescribed, is a useful method of relieving pain caused by medically diagnosed arthritis, bursitis and chronic joint pain. Relaxes muscles, relieves muscle stiffness, and muscle spasms. Most commonly used prior to therapeutic exercise and or massage. May be prescribed for post-fracture or post-dislocation treatment and other conditions for which heat is indicated such as sprains, strains, for restriction of motion due to scar tissue and certain peripheral vascular diseases. Consult your physician if you have any questions.

### *Contraindications;*

Should not be used in the presence of open wounds, inflammatory skin conditions, growths, peripheral vascular disease where circulation is impaired, acute inflammation, or when there is reduced or absent of sensation of the extremities (such as in some cases of diabetes). Should not be used on areas subject to hemorrhaging or in cases involving abdominal sensitivity to heat. Discontinue use if dermatitis occurs due to sensitivity to paraffin wax or if wax feels too hot or cold, could indicate health problems with user.

Consult with a physician or physical therapist before using.

### **Model PT-6-S Specification:**

Overall Dimensions: 13" L x 7" W x 7-3/4" D (330 L x 180 W x 195 D)

Inner Tank Dimensions: 11-3/4" L x 5-3/4" W x 5-3/4" D (300 L x 145 W x 145 D)

Tank Capacity: 6 lbs. (2.72 kgs.)

Electrical Requirements:     Inlet Voltage 120 VAC  
  Frequency 60Hz  
  Power Output 0.12 kW

### **Model PT-18-S Specification:**

Overall Dimensions: 21" L x 13" W x 8-1/4" D (535 L x 330 W x 210 D)

Inner Tank Dimensions: 19-3/4" L x 11-1/2" W x 5-3/4" D (500 L x 290 W x 145 D)

Tank Capacity: 18 lbs. (8.16 kgs.)

Electrical Requirements:     Inlet Voltage 120 VAC  
  Frequency 60Hz  
  Power Output 0.12 kW

### **ACCEPTABLE TRANSPORTATION AND STORAGE CONDITIONS:**

Temperature: -40°C to +70°C (-40°F to +158°F)  
Relative Humidity: 10% to 100%  
Atmospheric Pressure: No Requirements



Note: Unit must not be exposed to ingress of water or to severe physical trauma. Degradation of unit function and/or performance may occur.

**CONDITIONS ACCEPTABLES  
CONCERNANT LE TRANSPORT ET  
L'ENTREPOSAGE:**

Température : -40 °C à +70 °C (-40 °F à +158 °F)  
Humidité relative : 10 % à 100 %  
Pression atmosphérique : aucune exigence

Remarque : l'appareil ne doit pas être exposé à une infiltration d'eau ou à un traumatisme physique grave. Une détérioration des fonctions et/ou du rendement de l'appareil peut en découler.

## Operating Instructions

Step 1— Remove your new *Para-Therapy* unit from its packaging and place unit on a suitable level surface like a sturdy tabletop or countertop. Remove stainless steel cover and remove any accessories and literature from inside of tank.

**NOTE: DO NOT PLUG UNIT IN UNTIL STEP 2 IS COMPLETED!**

**REMARQUE: NE PAS BRANCHER L'APPAREIL AVANT D'AVOIR TERMINÉ L'ÉTAPE 2 !**

Step 2— Add paraffin to unit. For Model PT-6-S add six (6) one pound bags of genuine *Para-Therapy* paraffin chips and for Model PT-18-S add eighteen (18) one pound bags of paraffin chips. Chips sometimes melt together during shipment but can be easily separated when putting in unit. (Note: If you are using paraffin by others and it is not in chip form, but one pound bars, make sure each bar is placed individually into unit so they come in contact with the bottom of the tank so they will melt properly.)

Step 3— Your *Para-Therapy* unit is now ready to plug in. When unit is plugged in, the indicator light on the front of unit will come on indicating unit is under power. The six pound unit will take 4 to 5 hours and the eighteen pound unit will take 10 to 12 hours to melt all the paraffin completely. Once paraffin is completely melted your unit is ready to use.

### Operating Tips

When do I need to add Paraffin?

*Add paraffin when the paraffin level in your tank drops below a depth of 3". Using unit without sufficient paraffin in the tank can cause major temperature fluctuations in the paraffin bath.*

Why is there foreign material on the bottom of the tank?

*The material on the bottom of the tank is contamination such as dirt or dead skin which builds up after prolonged use or by placing used paraffin back in the unit after treatment. When this happens, we recommend removing used paraffin, cleaning unit and adding new paraffin.*

Why is there a film of solidified paraffin on the top surface of my tank?

**WHITEHALL MANUFACTURING • P.O. BOX 3527 • City of Industry, CA 91744-0527 USA Phone  
(800) 782-7706 • (626) 968-6681 • Fax (626) 855-4862 • Web: www.whitehallmfg.com**



*The paraffin has lost some of its oil through normal usage. Add paraffin oil (food grade mineral oil) as required or replace paraffin.*

1. Wash the area being treated thoroughly with anti-bacterial soap and water. Dry skin thoroughly.

2. **WARNING:** Always check paraffin temperature before using your paraffin bath. The proper treatment temperature ranges are 128°-136°F / 53°-58°C.

**MISE EN GARDE :** Toujours vérifier la température de la paraffine avant d'utiliser votre bain de paraffine. La bonne température pour les traitements varie de 53 °C à 58 °C/128 °F à 136 °F.

3. Slowly dip fingertips or toes into paraffin. Continue slowly until hand or foot is fully immersed. If heat of paraffin is too intense for patient, paraffin can be cooled a few degrees by removing cover from unit for a few minutes prior to treatment. (Unplugging unit is not recommended to cool paraffin because paraffin will quickly begin to solidify on the top surface if heater is not cycling.)

4. Once the extremity being treated is totally submerged, remove it from bath and re immerse five to ten times to build up several layers of paraffin. (Patient may also keep their hand or foot in the paraffin bath and enjoy the therapeutic heat.) **NOTE:** For treating the back, knee, shoulder or other areas of the body which cannot be dipped into the tank, a soft brush may be used to apply multiple layers of paraffin to area as required for treatment.

5. For maximum benefit, after the paraffin has been applied to patient, wrap the area in plastic sheeting (plastic bags work well for hands and feet) and cover with a towel. This retains heat and provides the patient with 20 to 30 minutes o soothing therapy.

6. Once treatment is finished, remove towel and plastic wrap. Then peel off paraffin and return it to tank. (**NOTE:** If more than one person is to use the unit, used paraffin should be discarded and not returned to the tank!)

7. When unit is not in use, place cover back on unit and leave unit plugged in. This way unit will be ready for future treatments.

1. Unplug unit and let paraffin solidify overnight. The next morning the paraffin should be a solid block.



2. To remove solid block of paraffin from unit, plug unit back in for approximately 15 to 20 minutes. This will cause solid block of paraffin to begin to melt and separate from the tank. Place a towel down on a sturdy flat surface, such as a table or countertop. Place a plastic trash bag on top of the towel.
3. Take care not to over-melt paraffin. Remove lid and press one end of solid paraffin block to check if paraffin has melted too much. If block moves down when you press down on the paraffin solid block, the paraffin has melted too much and should be allowed to cool and re-solidify. (If the following steps are performed and the paraffin has melted too much, a spill could occur causing a mess and a safety hazard.)
4. Unplug unit and turn unit upside down, with the lid on, on top of the plastic trash bag and towel. Carefully lift unit up an inch or two and then bump it down on the surface to break free the solid paraffin block. Block should drop on to lid. Lift away unit leaving the paraffin block on top of the lid. (Sometimes if the paraffin is low on paraffin oil, the block may be required to melt a little longer to break free.)
5. Once the solid block has been removed from the tank it can be discarded or saved for reuse if desired.
6. To remove any remaining paraffin remnants from the inside of the tank, hot water and paper towels work best. Once all the remaining paraffin has been removed, wash inside of unit with soap and water. Rinse and dry the inside of the tank.
7. After the unit has been cleaned, add new *Para-Therapy Paraffin Refills* as required to inside of tank or reuse the solid block of paraffin you removed earlier by placing it back in the tank the same way it came out.
8. Unit is now ready to be used.

### **PARA-THERAPY MODEL PT-6-S (120 VAC)**

<b>ITEM #</b>	<b>PART #</b>	<b>DESCRIPTION</b>
1	5902-111-000	Lid
2	0322-003-000	#6 Plated Star Lockwasher
3	0302-010-000	#6 Stainless Steel Hex Nut
4	0710-435-000	Standard Temp. Thermostat

**WHITEHALL MANUFACTURING** • P.O. BOX 3527 • City of Industry, CA 91744 • 0527 USA

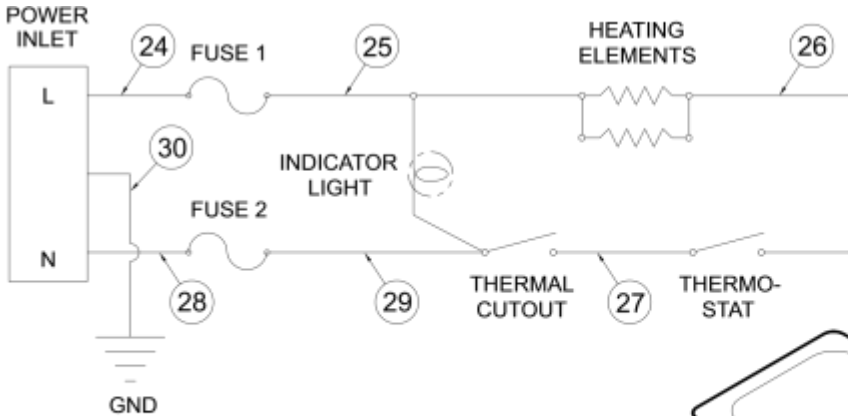


5	0710-456-000	Thermal Cutout
6	5902-110-001	Pan w/ Weld Studs (Assembly)
7	6505-504-000	Heating Element
8	0316-020-000	#10-32 Tinnerman Nut
9	0710-215-001	Fuse Holder Assembly
10	0710-212-000	6.3 Amp. Quick Acting 5mm x 20mm Fuse
11	6505-546-000	Appliance Inlet
12	5903-113-001	Euro Outer Housing
13	6505-542-000	Indicator Light (250 VAC)
14	5902-113-199	Bottom Cover
15	6504-604-000	Snap-on Bumper (Foot)
16	0331-014-000	0.203 ID x 0.734 OD Stainless Steel Washer
17	0108-107-000	#6-32 x 1 Phillips Screw
18	6505-043-000	Power Cord Set
19	5902-117-199	Side Insulation
20	5902-119-199	Bottom Insulation
21	5902-121-199	Heat Sink Bar Spacer
22	5902-120-199	Heat Sink Bar
23	0302-011-000	#6 Stainless Steel Hex Nut
24	5903-130-001	Power Inlet/Fuse Wire Assembly (Black)
25	5903-131-001	Fuse/Ind Light Wire Assembly (Black)
26	5903-136-001	Thermostat/Elements Wire Assembly (Black)
27	5903-134-001	T. Cutout/Thermostat Wire Assembly (White)
28	5903-132-001	Power Inlet/Fuse Wire Assembly (White)
29	5903-133-001	Fuse/T. Cutout Wire Assembly (White)
30	5903-135-001	Power Ground Wire Assembly (Grn/Ylw)



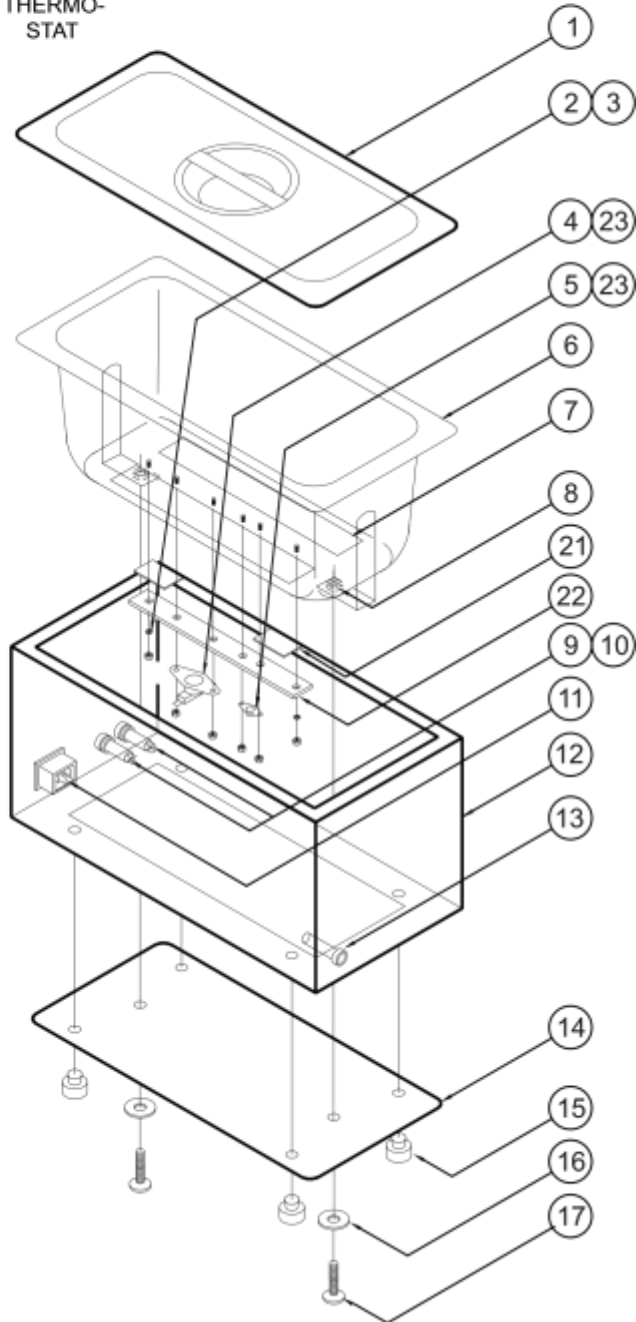
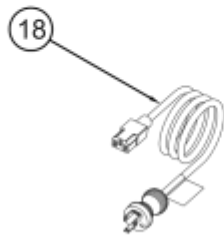


**EXPLODED VIEW PT-6-S (120 VAC)**



**Electrical Specifications**

Inlet Voltage: 120V AC  
 Frequency: 60Hz  
 Power Input: 0.12 kW  
 Mains Fuses: 2 x 4 Amps.  
 1/4" x 1-1/4" Time Delay



Parts Not Shown For Clarity

- (19) Side Insulation
- (20) Bottom Insulation

WHITEHALL MANUFACTURING • P.O. BOX 3527 • City of Industry, CA 91744-0527 USA



## PARA-THERAPY MODEL PT-18-S (120 VAC)

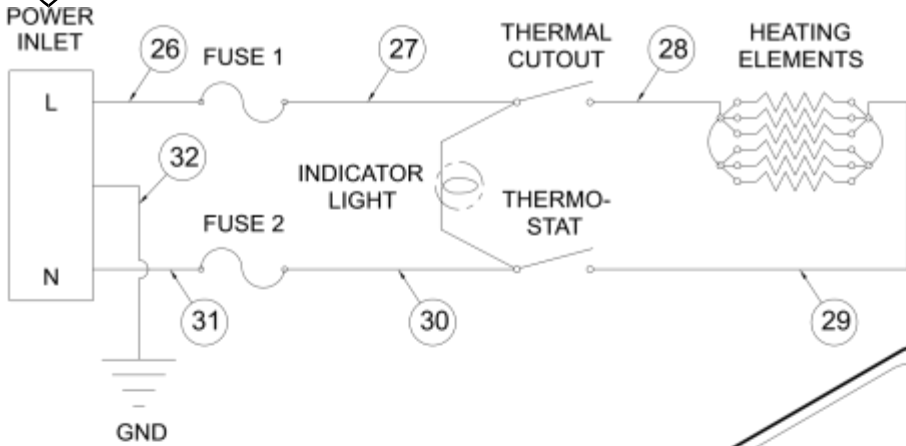
ITEM #	PART #	DESCRIPTION
1	5902-211-199	Lid
2	0322-003-000	#6 Plated Star Lockwasher
3	0302-010-000	#6 Stainless Steel Hex Nut
4	0710-453-000	Standard Temp. Thermostat
5	0710-456-000	Thermal Cutout
6	5902-210-002	Pan w/ Weld Studs (Assembly)
7	6505-504-000	Heating Element
8	0710-232-000	Fuse Holder Assembly
9	0710-201-000	4 Amp 1/4" x 1-1/4" Time Delay Fuse
10	6505-546-000	Appliance Inlet
11	5903-213-001	Outer Housing
12	0316-020-000	#10-32 Tinnerman Nut
13	5902-213-199	Bottom Cover
14	6505-540-000	Amber Indicator Light (125 V)
15	0116-010-000	#10-32 x 1/2" Phillips Truss Head Screw
16	0302-004-000	#10-32 Hex Nut
17	6502-560-000	#10 Stainless Steel Lockwasher
18	6504-605-000	Cabinet Foot
19	0116-013-000	#10-32 x 3/4" Phillips Round Head Screw
20	0116-006-000	#10-32 x 1" Phillips Truss Head Screw
21	5902-217-199	Side Insulation
22	5902-219-199	Bottom Insulation
23	5902-121-199	Heat Sink Bar Spacer
24	5902-120-199	Heat Sink Bar
25	6505-056-000	Power Cord Set
26	5903-240-001	Power Inlet/Fuse Wire Assembly (Black)
27	5903-241-001	Fuse/Ind Light Wire Assembly (Black)
28	5903-242-001	Elements/T. Cutout Wire Assembly (Black)

WHITEHALL MANUFACTURING • P.O. BOX 3527 • City of Industry, CA 91744-0527 U.S.A



29	5903-243-001	T. Cutout/Element Wire Assembly (White)
30	5903-244-001	Fuse/Thermostat Wire Assembly (White)
31	5903-245-001	Power Inlet/Fuse Wire Assembly (White)
32	5903-248-001	Power Ground Wire Assembly (Grn/Ylw)

**EXPLODED VIEW PT-18-S (120 VAC)**

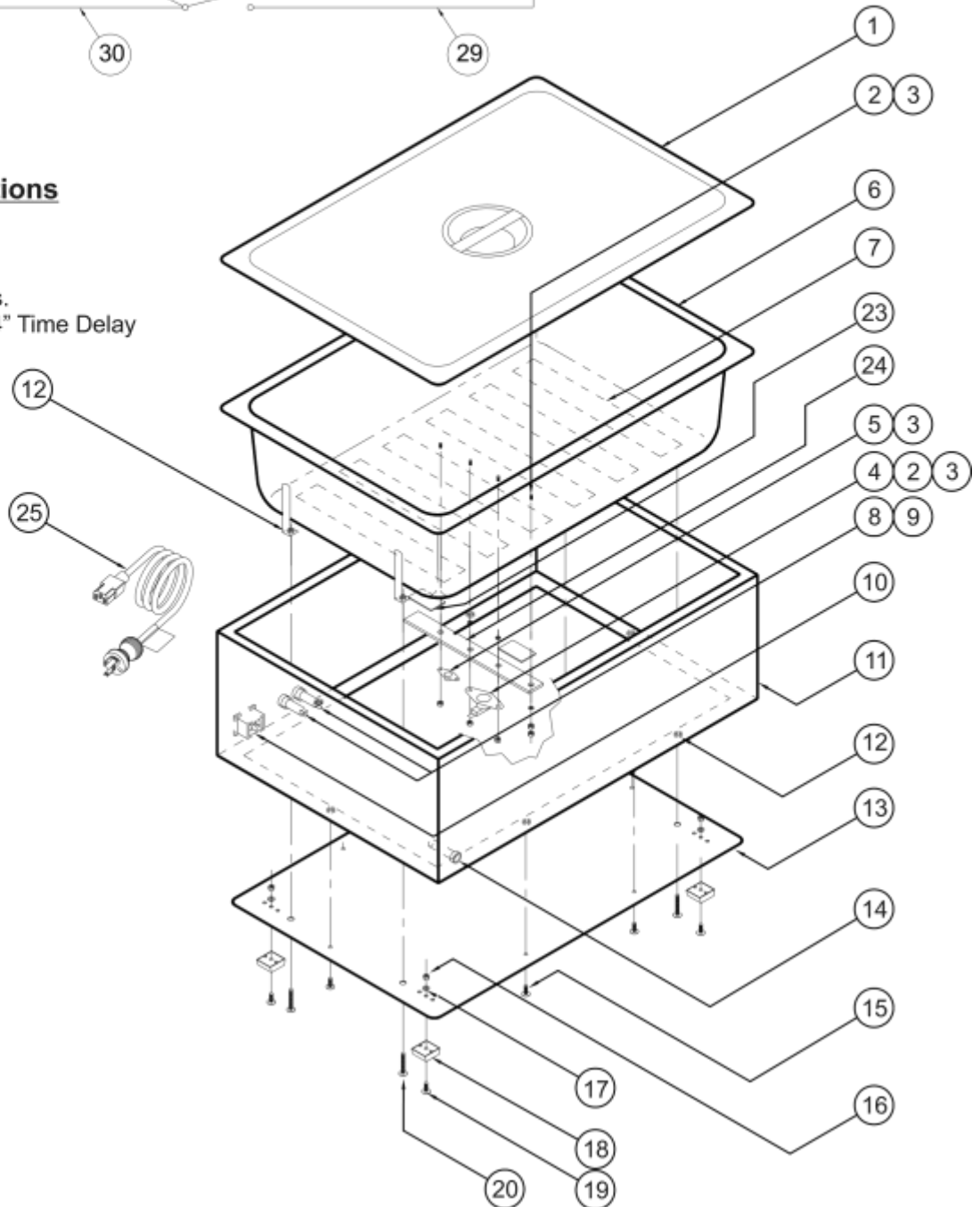


Parts Not Shown For Clarity

- (18) Side Insulation
- (19) Bottom Insulation

**Electrical Specifications**

Inlet Voltage: 120V AC  
 Frequency: 60Hz  
 Power Input: 0.12 kW  
 Mains Fuses: 2 x 4 Amps.  
 1/4" x 1-1/4" Time Delay



WHITEHALL MANUFACTURING • P.O. BOX 3527 • City of Industry, CA 91744-0527 U.S.A



PARA-THERAPY TROUBLESHOOTING GUIDE		
PROBLEM	CAUSE	SOLUTION
PARAFFIN WAX NOT MELTING INDICATOR LIGHT OFF	NO POWER TO UNIT  NO POWER FROM WALL OUTLET BURNT MAINS FUSE	CHECK TO SEE UNIT IS PLUGGED INTO WALL OUTLET, AND PROPERLY ATTACHED TO APPLIANCE INLET. CHECK FUSE BOX FOR WALL OUTLET.  REPLACE BURNT FUSE.
PARAFFIN WAX NOT MELTING INDICATOR LIGHT ON	THERMAL CUTOUT IS BURNT OR FAULTY.  THERMOSTAT IS BROKEN.  HEATING ELEMENT IS BURNT OR FAULTY.	CHECK THERMAL CUTOUT FOR CONTINUITY WITH MULTI-METER, IF NO CONTINUITY REPLACE THERMAL CUTOUT. REPLACE THERMOSTAT.  REPLACE HEATING ELEMENTS.
PARAFFIN WAX IS MELTING INDICATOR LIGHT OFF	INDICATOR LIGHT BURNT OUT.	REPLACE INDICATOR LIGHT
PARAFFIN IS TOO HOT	PARAFFIN LEVEL TOO LOW.  THERMOSTAT IS BROKEN.	ADD PARAFFIN TO UNIT.  REPLACE THERMOSTAT.
PARAFFIN IS SOLIDIFYING AT TOP SURFACE	PARAFFIN IS LOW ON OIL.	ADD PARAFFIN OIL (FOOD GRADE MINERAL OIL) TO PARAFFIN.



**Mailing Address:**

P.O. Box 3527 • City of Industry, CA 91744-0527 USA

**Physical Address:**

15125 Proctor Avenue • City of Industry, CA 91746 USA

Phone 800-782-7706 • 626-968-6681

Fax 626-855-4862

Web: [www.whitehallmfg.com](http://www.whitehallmfg.com)

E-mail: [info@whitehallmfg.com](mailto:info@whitehallmfg.com)

Any questions regarding servicing of products in Europe or the Middle East should be directed to:  
Niva Medical Company • Olarinluoma 14 B, FIN-02200 Espoo, Finland  
Phone 358 9 615 00 540 • Fax 358 9 615 00 545  
Web [www.nivamedical.fi](http://www.nivamedical.fi) • E-mail [info@nivamedical.fi](mailto:info@nivamedical.fi)

**MANUFACTURER'S WARRANTY**

Whitehall Manufacturing Company warrants that its products are free from defects in material or workmanship under normal use and service for a period of one year from date of shipment. Whitehall's liability under this warranty shall be discharged solely by replacement or repair of defective material, provided Whitehall is notified in writing within one year from date of shipment, F.O.B. Industry, California.

**This warranty does not cover installation or labor charges, and does not apply to materials which have been damaged by other causes such as mishandling or improper care or abnormal use.** The repair or replacement of the defective materials shall constitute the sole remedy of the Buyer and the sole remedy of Whitehall under this warranty. Whitehall shall not be liable under any circumstances for incidental, consequential or direct charges caused by defects in the materials, or any delay in the repair or replacement thereof. This warranty is in lieu of all other warranties expressed or implied. Product maintenance instructions are issued with each fixture, and disregard or noncompliance with these instructions will constitute an abnormal use condition and void the warranty. Stainless steel must be protected on job sites during construction and must be properly maintained after the water has been introduced into the fixture, or Whitehall's limited warranty is void. If you have any questions or require technical assistance, please call 800-743-8219.

**NOTICE TO KEEP ORIGINAL PACKAGING-** Regarding warranty claims: customer must retain original packaging for one year upon receipt of product. If packaging is discarded, it is the customer's responsibility to provide adequate packaging. Any shipping claims that are a direct result of customer-provided packaging materials will be handled by the shipper.