

# INSTRUCTIONS FOR OPERATION AND CARE OF GLACIERFREEZE



GF-12



P.O. Box 3527 • City of Industry, CA, 91744-0527, U.S.A.

800-782-7706 • 626-968-6681 • [www.whitehallmfg.com](http://www.whitehallmfg.com)

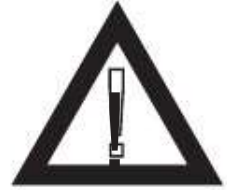
Member of  MORRIS GROUP  
A Division of



# WARNING



PLEASE READ THIS ENTIRE  
BOOKLET BEFORE OPERATING  
YOUR GLACIER FREEZE.



Failure to follow these instructions could result in damage  
to your Glacier Freeze and/or bodily injury

- CONNECT the appliance to a G.F.C.I. (Ground Fault Circuit Interrupter) electrical receptacle for protection against electrical shock. The Glacier Freeze must be properly grounded. Failure to do so may result in increase risk of electric shock.
- DO NOT use in the presence of flammable liquids or gases, as these may present a fire/explosion hazard.
- DO NOT use an extension cord.
- DO NOT use a knife or other metal object to remove frost and/or ice. Doing so may severely damage the refrigeration system.



## TABLE OF CONTENTS

Model Description ..... 2

Start Up Procedures ..... 3

Temperature Adjustment ..... 3

Defrost Your GlacierFreeze ..... 3

Cleaning & Maintenance ..... 3

Troubleshooting ..... 4

Wiring Diagram ..... 4

Parts Diagram ..... 5



## GlacierFreeze

GlacierFreeze provides a convenient and reliable storage for a Glacier Packs. It's designed to keep them properly stored and ready to use. Each unit comes with stainless steel shelves for standard Glacier Packs and a molded compartment for Ice Cups (Ice Cups not included). Oversized packs are easily stored on the bottom shelf.

MODEL GF-12





## START UP PROCEDURES

To use your GlacierFreeze with the most efficiency and safety, select a suitable place for installation keeping in mind the following points:

- The GlacierFreeze should be installed on a strong, level floor. If floor is not quite level, adjust feet as necessary.
- The GlacierFreeze was designed for free standing installation only and should not be recessed or built-in.
- Allow four inches or air space behind the freeze.
- Keep away from direct sunlight, oven or other heat source.
- The GlacierFreeze is equipped with a three-prong plug and is grounded to eliminate electrical hazards. **WARNING! FREEZER SHOULD BE PLUGGED INTO A GROUNDED 120V, 60Hz ELECTRICAL OUTLET.** (NOTE: For other voltages contact Whitehall for voltage adapters.)

## TEMPERATURE ADJUSTMENT

The GlacierFreeze temperature can be adjusted by the Cold Control Knob. Freezer temperature will become lower as the Control Knob is set closer to the "MAX" position.

The GlacierFreeze temperature will vary depending on the quantity of cold packs stored and the frequency of the door being opened.

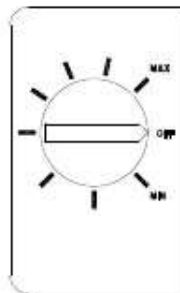
A thermometer is supplied to indicate temperature of freezer.

## DEFROST YOUR GLACIERFREEZE

Remove cold packs from your GlacierFreeze. Keep drip tray in place. Set Cold Control Knob to "OFF" position.

Defrosting may take several hours. To defrost faster:

- Leave door open.
- Remove vertical Rack Spacers and place pans of hot water on frost shelves.
- Wipe with warm towel or sponge.



**WARNING! NEVER USE A KNIFE OR OTHER METAL OBJECT TO REMOVE FROST AND/OR ICE. DOING SO MAY SEVERELY DAMAGE THE REFRIGERATION SYSTEM.**

When defrosting is complete, remove drip tray and dispose of water. Set Cold Control Knob back to original position.

## CLEANING & MAINTENANCE

Turn off your GlacierFreeze. Remove cold pack, vertical rack spacers, cup holder and drip tray. Wash interior liner with a solution of warm water and two teaspoons baking soda per quart of water. Rinse and wipe clean. Do not use soaps, detergents, scouring powder or spray cleaners for the liner. They may create odors in the freezer.

Wash the drip tray, rack spacers and cup holders in a mild detergent. Rinse and dry with a soft cloth. Use only mild soapy water to clean door gaskets. Never use acids, chemical thinner, gasoline, or the like for cleaning any part of the freezer. Boiling water and benzine may deform and damage plastic parts. Use a vacuum cleaner to clean the condenser (tube and wire attachment) on the back of the freezer. Wash the exterior cabinet with a detergent or soap solution. Rinse well. Do not use scouring powder or pads. To protect the cabinet finish, use a good quality automotive wax. Be careful not to wax plastic parts.



### TROUBLESHOOTING

What should I do if my GlacierFreeze is too warm?

- Adjust Cold Control. See page 3.
- Make sure door is closed properly.
- Condenser coils on back may need cleaning. See page x.

-----

What should I do if moisture collects on the outside?

- Frequent door openings in high humid conditions will cause this. Reduce door openings and reduce time door is open.
- Make sure door seal is tight.

What should I do if my GlacierFreeze is too noisy?

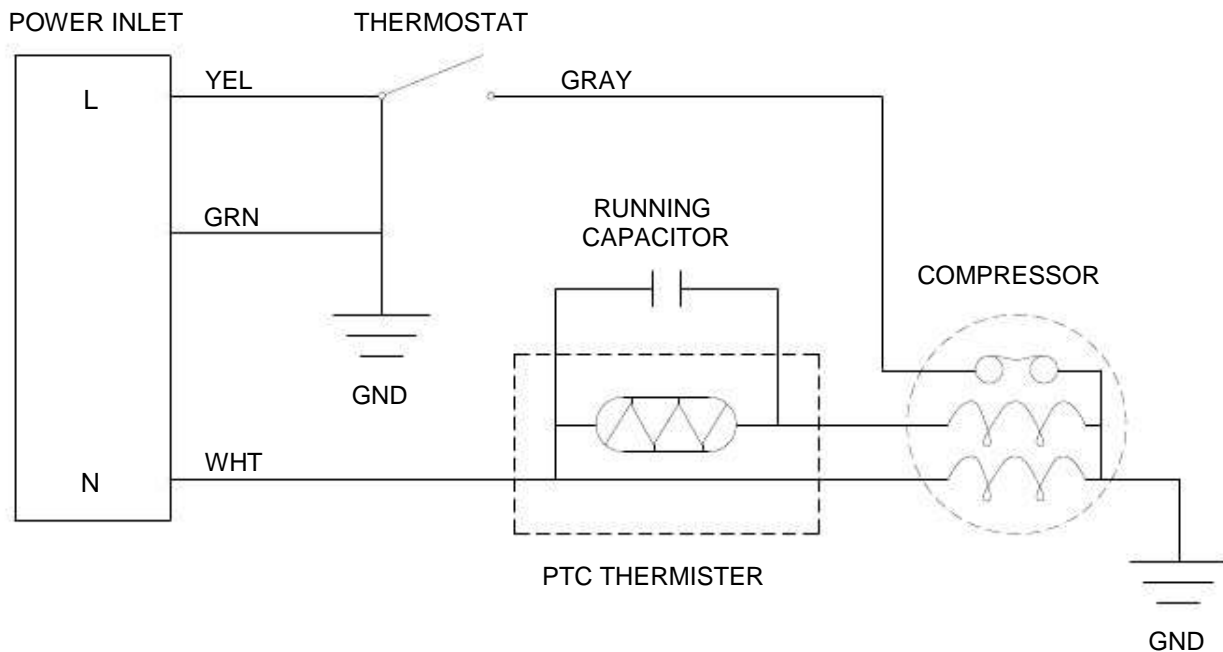
- Make sure cabinet is level, not touching a wall or other surface, and rests squarely on the floor on all four corners.
- Make sure condenser coils are free of lint and dust.
- Normal noises include refrigerant gurgling as it passes through tubes and the compressor clinking on and off.

-----

What should I do if there is an odor coming from my GlacierFreeze?

- Clean interior. See page 3.

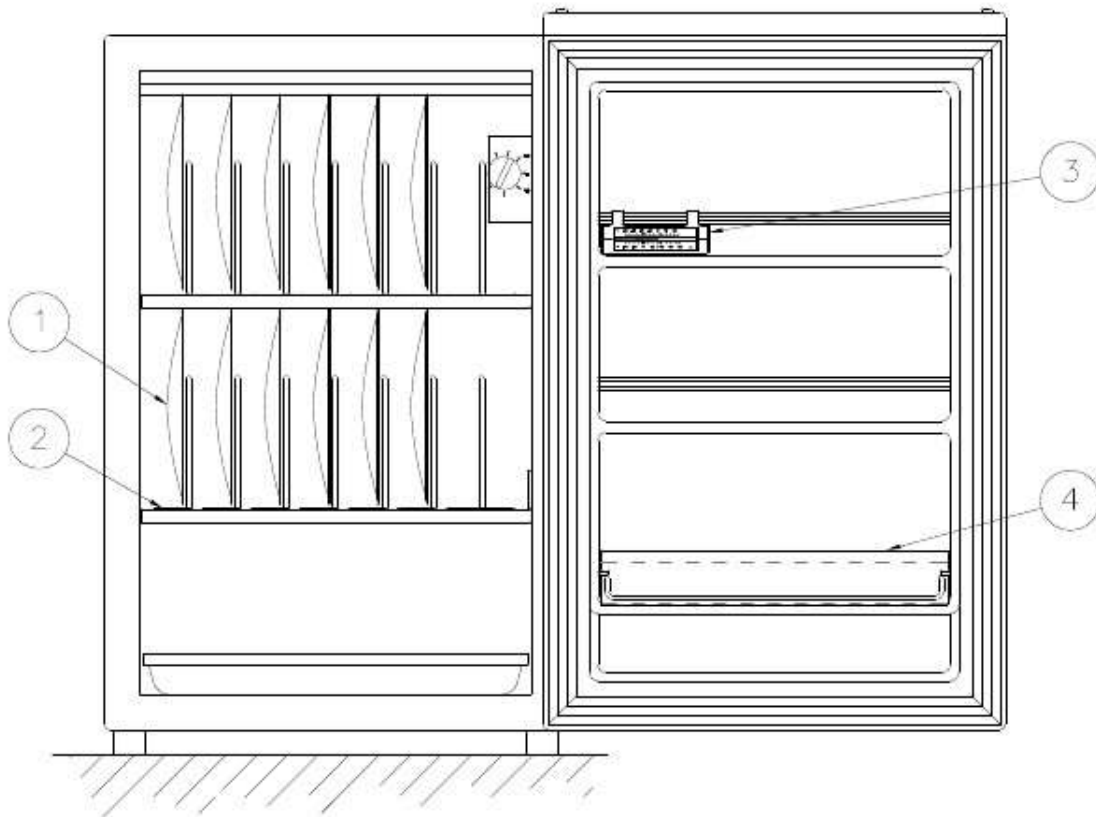
### WIRING DIAGRAM





## PARTS LIST FOR GLACIERFREEZE

ITEM #	PART #	DESCRIPTION
1	6702-450-000	Standard Size Glacier Pack
2	6702-484-001	Vertical Rack Spacer
3	6702-486-000	Thermometer
4	6702-487-199	Cup Holder (Ice Cups not included)





## GLACIERFREEZE REPAIR PARTS

1	8332331052700	Mascot	23	SWZ502001R6UL	Leg Spacer
2	8330310551900	Foamed Door Assy	24	8332111001210	Leg
3	8330331652700	Door Gasket	25	2FB2236200200	Screw #159
4	8332320160702	Door Liner	26	8312433184801	Plate Support Condenser
5	8332320351000	Trim Shelf Door	27	8330420250500	Double Drier, 8 Grams
6	8312320384100A	Panel Guard Lower	28	8312430970001	Bolt #050
7	8312322180100	Door Shelf Bushing	29	8338030451000	Compressor
8	S1440100001000	Screw #023	30	8312430683101	Grommet Compressor Mtg
9	8312612083272	Thermo Knob	31	SFSHY5012SE	Bolt #119
10	8332230850400	Thermo Panel	32	8312120188700	Plate Cabinet Base
11	8312132021231	Bottom Hinge	33	8332532650400	Clip Relay Cover
12	4233C29700	Thermostat ATB-3U1008	34	8332533250700	Relay Cover
13	S1440160200700	Screw #035	35	8334204C50700	PTC Relay
14	8312432581370	Therm Bulb Clamp	36	8340410270700	Condenser
15	8312132019800	Hinge Top	37	8340410172270B	Evaporator Assy
16	8312133012500	Hinge Top Cover, White	38	8332411750303	Trim Shelf Evap. Upper
17	S31050160001GT	Bolt #027	39	8332411750203	Trim Shelf Evap. Lower
18	8312530814670	Case Wire Splicer	40	8332220250800	Drip Tray
19	8342322170000	Trim Evaporator Bushing	41	8332332870400	Cap Grommet, White
20	S0440080001T00	Screw #026	42	8336421950320	Wiring Diagram
21	8312537784100	Cord Clamp	43	4BC4S20002100	Overload Relay
22	4243C24500	Power Cord	44	8312432112000	Support, Tube Condenser

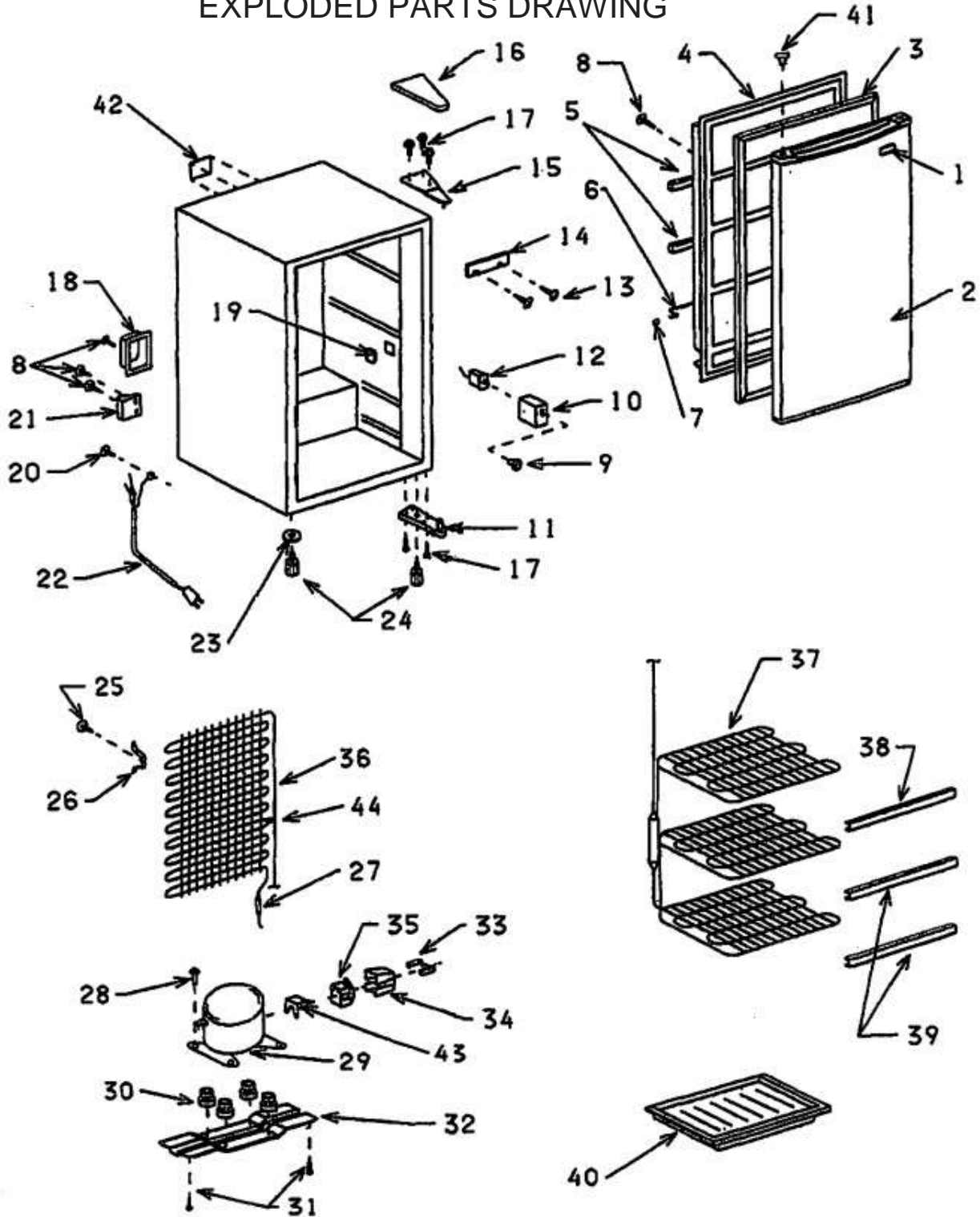
### Parts Not Illustrated

8332132550400	Nylon Washer, Natural
8332340250700	Insulation Door
8342233111170	Thermo Bracket
8312233126870	Plate Mounting Thermo Fix





### EXPLODED PARTS DRAWING





Mailing Address:  
P Box 3527 • City of Industry, CA 91744-0527 U.S.A.O.

Physical Address:  
15125 Proctor Avenue • City of Industry, CA 91746 U.S.A

Phone 800-782-7706 • 626-968-6681

Fax 626-855-4862

Web: [www.whitehallmfg.com](http://www.whitehallmfg.com)

E-mail: [info@whitehallmfg.com](mailto:info@whitehallmfg.com)

Any questions regarding servicing of products in Europe or the Middle East should be directed to:  
Niva Medical Company • Olarinluoma 14 B, FIN-02200 Espoo, Finland  
Phone 358 9 615 00 540 • Fax 358 9 615 00 545  
Web [www.nivamedical.fi](http://www.nivamedical.fi) • E-mail [info@nivamedical.fi](mailto:info@nivamedical.fi)

## MANUFACTURER'S WARRANTY

Whitehall Manufacturing Company warrants that its products are free from defects in material or workmanship under normal use and service for a period of one year from date of shipment. Whitehall's liability under this warranty shall be discharged solely by replacement or repair of defective material, provided Whitehall is notified in writing within one year from date of shipment, F.O.B. Industry, California.

This warranty does not cover installation or labor charges, and does not apply to materials which have been damaged by other causes such as mishandling or improper care or abnormal use. The repair or replacement of the defective materials shall constitute the sole remedy of the Buyer and the sole remedy of Whitehall under this warranty. Whitehall shall not be liable under any circumstances for incidental, consequential or direct charges caused by defects in the materials, or any delay in the repair or replacement thereof. This warranty is in lieu of all other warranties expressed or implied. Product maintenance instructions are issued with each fixture, and disregard or non-compliance with these instructions will constitute an abnormal use condition and void the warranty. If you have any questions or require technical assistance, please call 800-743-8219.

NOTICE TO KEEP ORIGINAL PACKAGING- Regarding warranty claims: customer must retain original packaging for one year upon receipt of product. If packaging is discarded, it is the customer's responsibility to provide adequate packaging. Any shipping claims that are a direct result of customer-provided packaging materials will be handled by the shipper.

Member of

