

IV - IV Pole Attachment



CUSTOMER INSTRUCTIONS

For Models:

2570, 2571, 2572, 2573, 2574, 2575, 5251, 5261, 5271, 5281, 5291, 5351,
5361, 5400, 5560, 5570, 5580, 5670, 5680, 5851, 5861, 6530, 6531, 6540,
6541, 6550, 6551, 6560, 6570, 6571, 6700, 6710, 6740, 6750, 6940,
6950, 6980, 6990

*PLEASE READ AND FAMILIARIZE YOURSELF WITH ALL INSTRUCTIONS BEFORE USING THIS PRODUCT.
If you have trouble understanding these instructions contact your dealer or Winco customer support, (800) 237-3377
before attempting to use this product; otherwise injury may occur.*

**Winco assumes no responsibility for damage or injury caused by improper assembly,
installation, use, or maintenance of these products.**



TO REDUCE THE RISK OF INJURY TO PERSONS:

1. READ AND FOLLOW ALL DIRECTIONS.
2. DO NOT use the IV pole for pulling, moving, or holding the chair in place.
3. DO NOT use this attachment in any location or on products other than those listed in these instructions.
4. DO NOT make any modifications to the bracket or pole.
5. IV Pole and included bracket are designed for hanging IV solutions ONLY.
6. Immediately remove from service; Any chair with mechanical or visible damage.
7. USE ONLY WINCO AUTHORIZED REPLACEMENT PARTS.
8. SAVE THESE INSTRUCTIONS for future reference and training.



**5516 Southwest 1st Lane
Ocala, FL 34474**

1-800-237-3377 / 352-854-2929 / Fax: 352-854-9544

e-mail: customerservice@wincomfg.com

Visit us on the web: www.wincomfg.com

PLEASE READ AND FAMILIARIZE YOURSELF WITH ALL INSTRUCTIONS BEFORE PROCEEDING WITH ASSEMBLY

● IV Pole Attachment

Models: 5251, 5261, 5291, 5351, 5361, 5851, 5861, 6530, 6531, 6540, 6541, 6570, 6571

● Parts Included:

<u>Description:</u>	<u>Qty.</u>	<u>Part Number</u>
IV U-Bracket Assembly	1	227600 (LEFT) 227605 (RIGHT)
¼-20 Nylon Lock-nut (1-installed)	3	566204
¾" Phillips-head Screw (installed)	1	566504
2¾" Phillips-head Screw	2	566571
IV Pole	1	480500

● Tools needed:

- Phillips Head Screwdriver
- 7/16" wrench (multiple size wrench included)
- Powered tools NOT recommended –

● Assembly Instructions

1. Locate the rear-side of the chair and place the "IV U-Bracket Assembly" onto the rear chair frame rail. **(FIG.1)**

NOTE:
Left & Right is determined – as if sitting in the chair

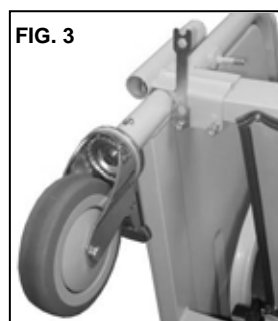
2. Next insert the (2) 2¾" screws into the holes provided on the bracket assembly. **(FIG.2)**
3. Secure the bracket to the chair frame using the (2) nylon lock-nuts.

Tighten using the wrench provided. **(FIG.3)**

4. Insert the IV Pole.

Your chair should look like that of **(FIG.4)** when assembly is complete.

*Pictures shown with **227600A** OPTION*



●IV Pole Attachment

Models: 5271, 5281, 6550, 6551

●Parts Included:

<u>Description:</u>	<u>Qty.</u>	<u>Part Number</u>
IV U-Bracket Assembly	1	227600 (LEFT) 227605 (RIGHT)
IV Spacer	1	227607
1" Grey Cap	2	700700
¼-20 Nylon Lock-nut (1 installed)	3	566204
¾" Phillips-head Screw (installed)	1	566504
2¾" Phillips-head Screw	2	566571
IV Pole	1	480500

●Tools needed:

- Phillips Head Screwdriver
- 7/16" wrench (multiple size wrench included)
- Powered tools NOT recommended –

●Assembly Instructions

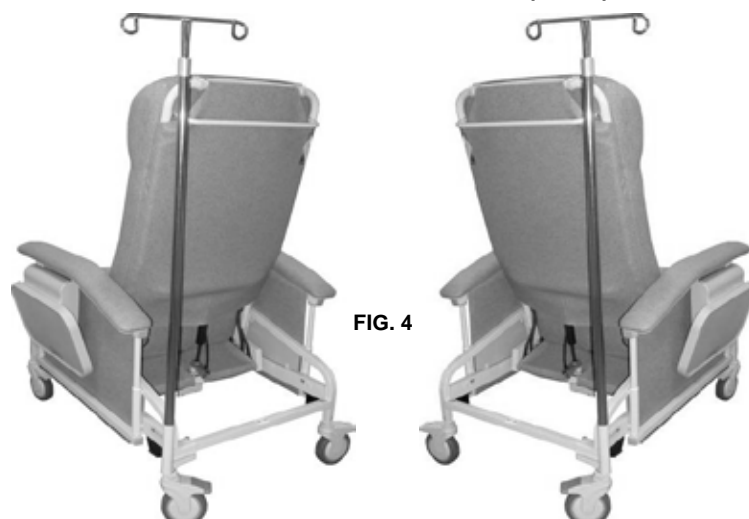
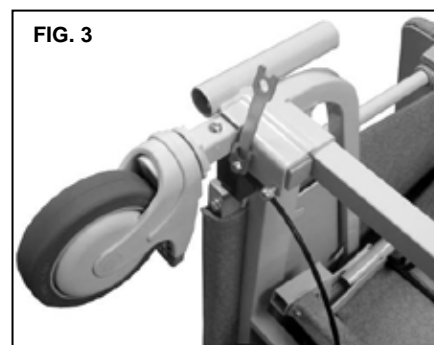
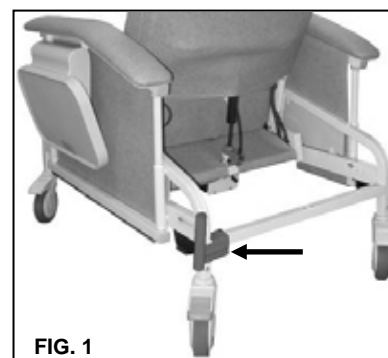
1. Locate the proper location on the chair for the "IV U-Bracket Assembly". (FIG.1 & 1A)

NOTE:
Left & Right is determined – as if sitting in the chair

2. Insert the "IV Spacer" into the "IV U-Bracket" (FIG. 2 or FIG.2A) and place onto chair frame.

IMPORTANT:
527 "IV Spacer" should be placed towards the top of the "IV U-bracket". (FIG.2A)

3. Insert the two screws through the holes in the "IV U-Bracket". (FIG.2B)
4. Screw on the nylon lock-nuts and, using the wrench provided, tighten the lock-nuts to the bracket. (FIG.3)
5. Your chair should look similar to that of (FIG.4)



● IV Pole Attachment

Models: 2570, 2571, 2572, 2573, 2574, 2575

● Parts Included:

<u>Description:</u>	<u>Qty.</u>	<u>Part Number</u>
IV U-Bracket Assembly	1	227600 (RIGHT) 227605 (LEFT)
IV Spacer	1	227607
1" Grey Cap	2	700700
¼-20 Nylon Lock-nut (1 installed)	3	566204
¾" Phillips-head Screw (installed)	1	566504
2¾" Phillips-head Screw	2	566571
IV Pole	1	480500

● Tools needed:

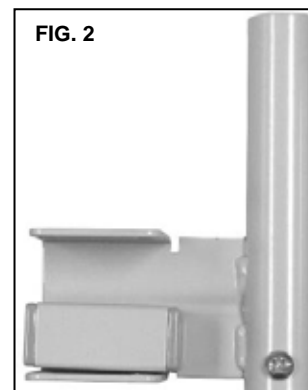
- Phillips Head Screwdriver
- 7/16" wrench (multiple size wrench included)
- Powered tools NOT recommended –

● Assembly Instructions

6. Locate the proper location on the chair for the "IV U-Bracket Assembly". (FIG.1)

NOTE:
Left & Right is determined – as if sitting
in the chair

7. Insert the "IV Spacer" into the "IV U-Bracket" (FIG.2) and place onto chair frame.
8. Insert the two screws through the holes in the "IV U-Bracket". (FIG.3)
9. Screw on the nylon lock-nuts and, using the wrench provided, tighten the lock-nuts to the bracket. (FIG.3)
10. Your chair should look similar to that of (FIG.4)



●IV Pole Attachment

Models: 5560, 5680, 6560, 6740, 6750, 6940, 6950, 6980, 6990

●Parts Included:

<u>Description:</u>	<u>Qty.</u>	<u>Part Number</u>
IV Bracket Assembly (5560, 6560, 6940, 6950)	1	227610
IV Bracket Assembly (6980, 6990)	1	227610B
¼-20 Nylon Lock-nut (installed)	1	566204
¾" Phillips-head Screw (installed)	1	566504
IV Pole	1	480500

●Tools needed:

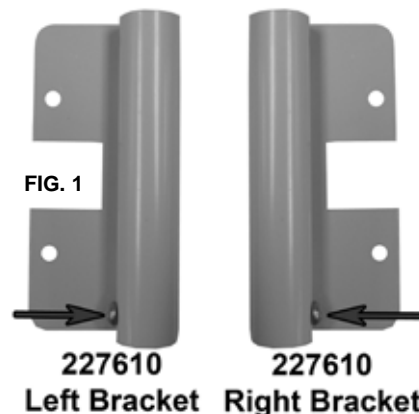
- Phillips Head Screwdriver (5560/6560 ONLY)
- ½" Wrench (6940/6950/6980/6990 ONLY)
- 3/16" Allen Wrench (6940/6950/6980/6990 ONLY)
- Powered tools NOT recommended –

●Assembly Instructions

5560/6560 & 6980/6990 (Right Side ONLY)

(6940/6950 & 6980/6990 Left Side ONLY instructions on next page)

1. First, check the bracket that came with your IV Pole Attachment Kit. Verify that the screw and lock-nut, already installed, are in their proper location. (FIG. 1)



2. Locate the left or right rear side for 5560/6560. Locate the right-rear side for 6980/6990. (FIG.2)
3. Unscrew the bolts in the cross brace. (FIG.2A)

NOTE:
Left & Right is determined – as if sitting in the chair

4. Place the "IV Bracket" over the cross brace, reinsert the screws, and tighten to a snug fit. (FIG.3)
5. Your chair should look like (FIG.4).



● Assembly Instructions

5680, 6740, 6750, 6940/6950 & [6980/6990 (Left Side Only)]

1. First, check the bracket that came with your IV Pole Attachment Kit. Verify that the screw and lock-nut, already installed, are in their proper location. (FIG. 1)
2. Locate the left or right rear side for **6940/6950**.
Locate the left rear side for **6980/6990**.

NOTE:
Left & Right is determined – as if sitting in the chair

3. CAREFULLY place the chair on it's side & And open the swing arm all the way. (FIG.2)
4. Using a ½" wrench & a 3/16" allen wrench unscrew the swing-arm hinge bolt. (FIG.3)

NOTE:
Some FORCE may need to be applied to the allen wrench in order to loosen the hinge bolt

5. Take the loosened bolt out of the arm bracket, lift upholstered swing-arm off of frame, and place on floor.
6. Use a ½" wrench and REMOVE the bolts from the hinge bracket. (FIG.4)
7. Line up the "IV Bracket" with the holes in the upholstered arm. Be sure the pre-installed screw and nut on the "IV Bracket" is towards the bottom. (FIG.4A)
8. Place the arm bracket on top of the "IV Bracket" and re-install the 2 bolts using a ½" wrench. (FIG.4)
9. Re-install the upholstered arm onto the chair frame (FIG.5)
10. Your chair should look like (FIG.6)



FIG. 6

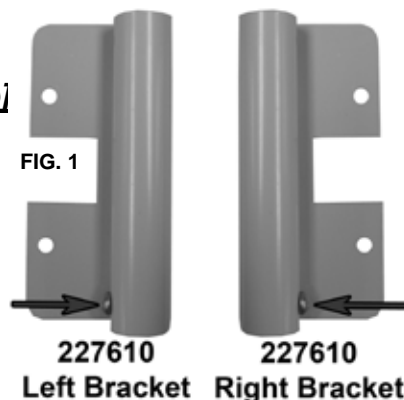


FIG. 1

227610

227610

Left Bracket Right Bracket

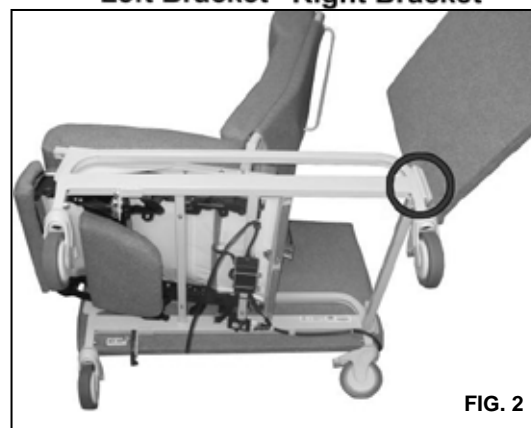


FIG. 2

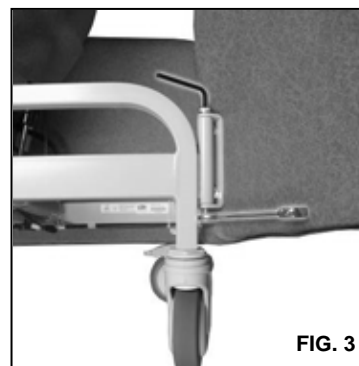


FIG. 3

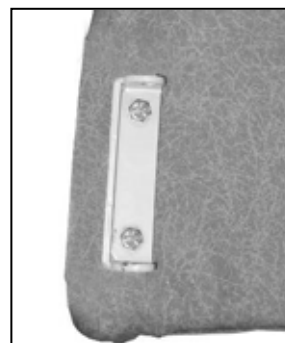


FIG. 4



FIG. 4A

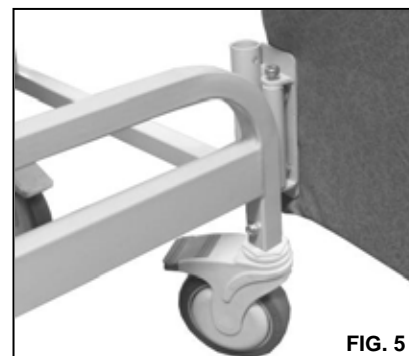


FIG. 5

● IV Pole Attachment

Models: 5400, 5570, 5580, 5670, 6700, 6710

● Parts Included:

<u>Description:</u>	<u>Qty.</u>	<u>Part Number</u>
IV Bracket Assembly	1	227630 (LEFT or RIGHT)
¼-20 Nylon Lock-nut (installed)	1	566204
¾" Phillips-head Screw (installed)	1	566504
IV Pole	1	480500

● Tools needed:

- Phillips Head Screwdriver
- Powered tools NOT recommended –

● Assembly Instructions

1. Locate the rear-side of the chair and remove the 2 screws from the rear-brace (**FIG.1**)

NOTE:
Left & Right is determined – as if sitting
in the chair

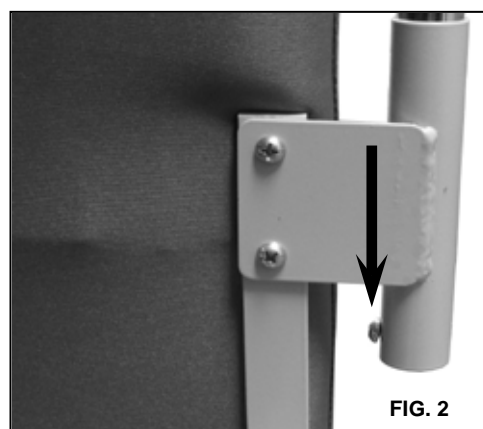
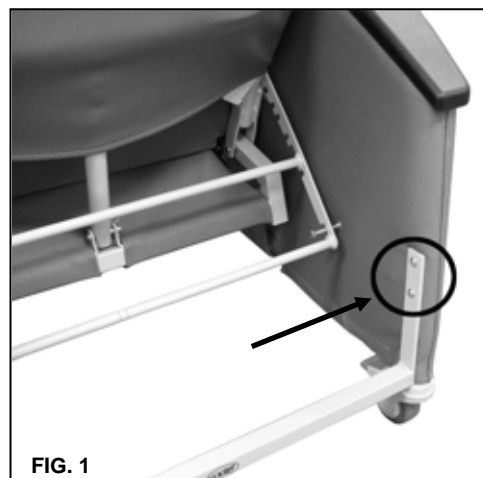
2. Next, line up the holes in the IV bracket with the holes in the rear-brace. (**FIG.2**)

Nut and bolt pre-installed on the IV tube should be in down position. (**FIG.2-ARROW**)

3. Secure the bracket to the chair frame using the (2) screws previously removed in step 1. (**FIG.3**)

5. Insert the IV Pole.

Your chair should look like that of (**FIG.4**) when assembly is complete.





LIMITED WARRANTY

5516 SW 1st Lane • Ocala, FL 34474
 Phone (352) 854-2929 • (800) 237-3377 • Fax (352)
 854-9544

TERMS

Winco Mfg., LLC warrants this product to be free of manufacturer's defects in material and workmanship, provided that the product is used according to normal operating conditions and proper maintenance intended by manufacturer. This warranty is available only to the original retail purchaser, is non-transferable and commences on the date of retail sale; proof of purchase required.

Limited One Year Complete Product Warranty: Winco Mfg., LLC warrants the complete product for one (1) year. At Winco Mfg., LLC. sole discretion, it may repair or replace any components freight free that are found to be defective during the first year. *Winco Mfg., LLC. shall not be liable for any labor, or any other costs incurred as a result of or in conjunction with a warranty claim.*

Limited Three Year Warranty: Winco Mfg., LLC warrants the recliner mechanisms, electrical components, vinyl [from cracking or delaminating] pressurized gas springs, when new, for a period of three (3) years. At Winco Mfg., LLC. sole discretion, it may repair or replace components found to be defective. *Winco Mfg., LLC. shall not be liable for any labor, shipping or any other costs incurred as a result of or in conjunction with a warranty claim.*

Limited Lifetime Chair Frame Warranty: Winco Mfg., LLC warrants the steel chair frame, when new, for the lifetime of the original purchaser. This limited warranty does not apply to paint/finish or any components attached to the frame such as; upholstery, foam, casters, mechanisms or related parts that are covered under above warranties. *Winco Mfg., LLC shall not be liable for any labor, shipping or any other costs incurred as a result of or in conjunction with a warranty claim.*

The purchaser's exclusive remedy under this warranty shall be limited to such repair or replacement of defective components at Winco Mfg., LLC sole discretion. For warranty service, contact the dealer that the product was originally purchased from or Winco Mfg., LLC directly.

EXCLUSIONS

There are no other warranties, conditions, representations or guarantees, express or implied, made or intended by Winco Mfg., LLC and all other warranties, conditions, representations or guarantees including any warranties, conditions, representations or guarantees under any Sale of Good Act or Like legislation or statute is hereby expressly excluded. Any and all other implied warranties shall not extend beyond the duration of the express warranty. Liability for incidental or consequential damages is excluded to the extent permitted by law. Some states do not allow the exclusion or limitation so the above limitation or exclusion may not apply to you. This warranty gives you specific legal rights. In addition you may also have other rights, which vary from state to state.

GENERAL PROVISIONS

No warranty herein contained or set out shall apply when damage or repair is caused by any of the following:

1. Damage in transit.
2. Accident, alteration, abuse or misuse of product ie. exceeding weight capacities, applying inordinate pressure to footrest/leg rest, use in Mental Health facilities or like institutions.
3. Fire, water damage, theft, war, riot, hostility, acts of God.



Examples contained in this list are not to be construed as all-inclusive.